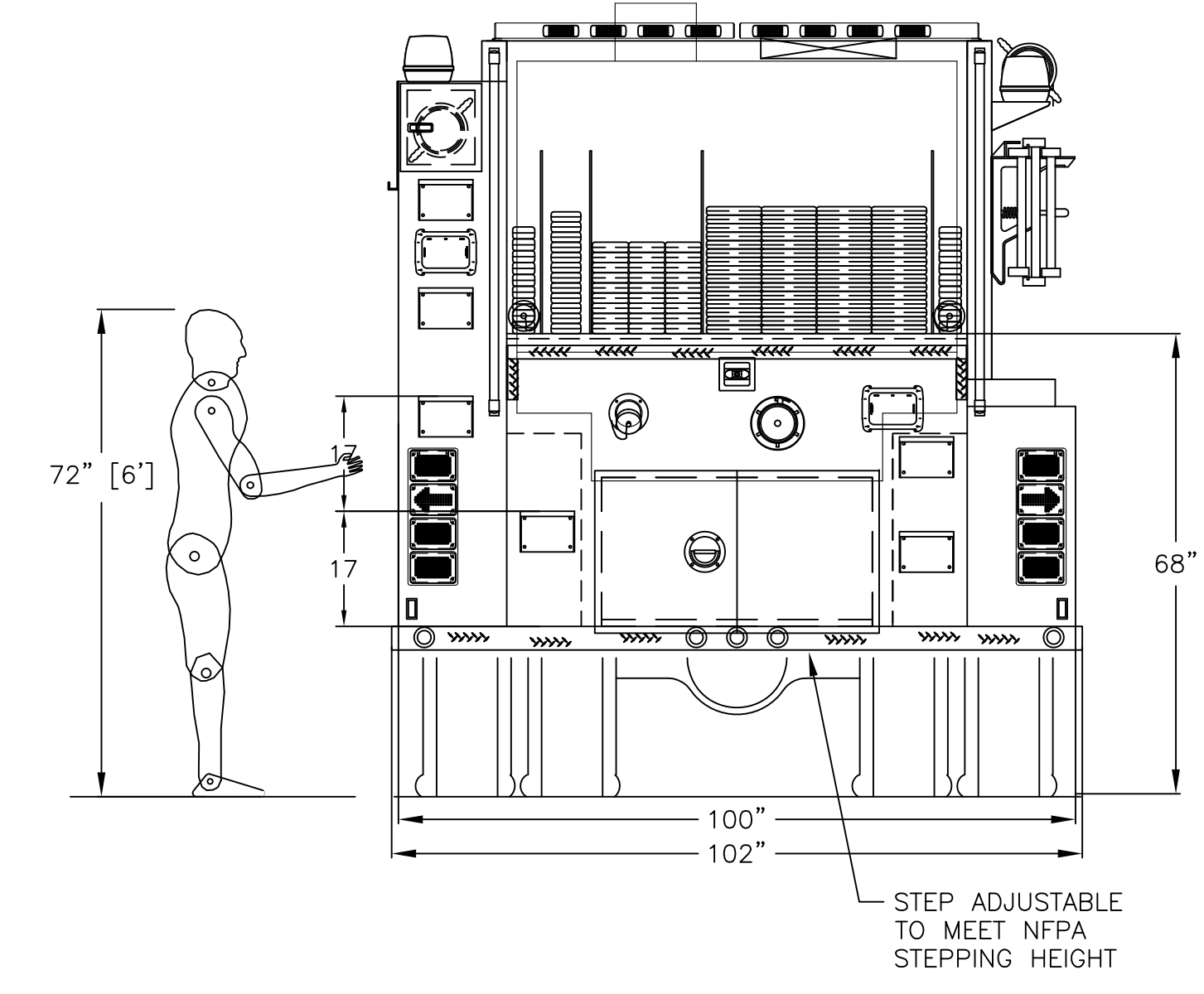
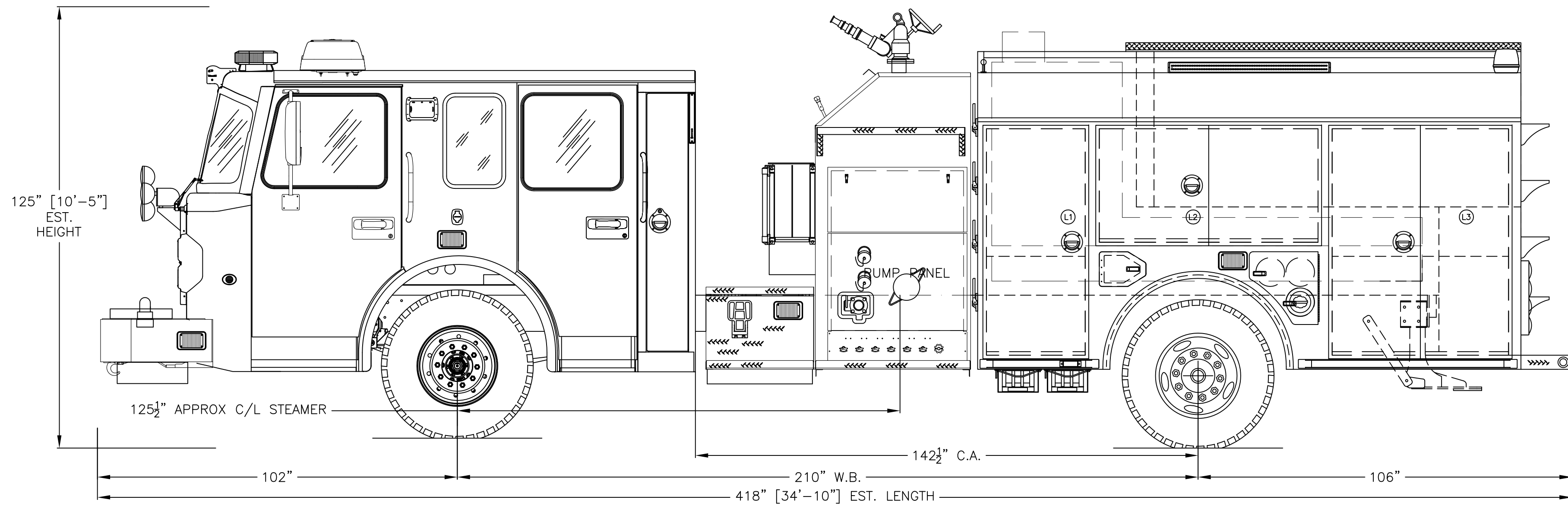


COMPARTMENT DIMENSIONS					
COMPT.	DOOR OPENING	INTERIOR	DIVIDE HEIGHT	UPPER DEPTH	LOWER
L1	28"W x 63"H	30"W x 72"H	27"	14"	25"
L2	62"W x 31"H	69"W x 38"H	N/A	14"	N/A
L3	50"W x 63"H	50"W x 72"H	27"	14"	25"
R1	28"W x 27"H	30"W x 27"H	N/A	N/A	25"
R2	50"W x 27"H	50"W x 27"H	N/A	N/A	25"
T1	40"W x 21"H	46"W x 30"H	N/A	21"	21"

GROUND LADDERS & PIKE POLES			
ITEM	DESCRIPTION	MODEL #	QTY
A	24' 2-SEC EXTENSION	900-A	1
B	14' ROOF	775-A	1
C	10' FOLDING ATTIC	585-A	1
D	PIKE POLE	-	4



NOTE:
THIS DRAWING IS THE PROPERTY OF SMEAL FIRE APPARATUS CO. AND IS TO BE USED ONLY IN REFERENCE TO THE WORK PROPOSED OR CONTRACTED BY SMEAL FIRE APPARATUS CO. ANY REPRODUCTION IN PART OR IN WHOLE WITHOUT THE WRITTEN PERMISSION OF SMEAL FIRE APPARATUS CO. IS STRICTLY PROHIBITED.
DIMENSIONS SHOWN ARE APPROXIMATE AND ARE SUBJECT TO CHANGE AS MAY BE FOUND NECESSARY DURING CONSTRUCTION. THIS DRAWING MUST BE PLOTTED TO THE PAPER SIZE LISTED IN THE TITLE BLOCK FOR THE LISTED SCALE TO BE VALID.
THIS DRAWING IS FOR REFERENCE PURPOSES ONLY. SOME ITEMS MAY OR MAY NOT APPEAR ON THE DRAWING THAT MAY OR MAY NOT BE INCLUDED IN THE SPECIFICATIONS. THE SPECIFICATIONS SHALL BE THE FINAL AUTHORITY TO DETERMINE WHAT IS SUPPLIED ON THE APPARATUS.

REVISION HISTORY			
REV	INT.	DATE	DESCRIPTION
01	Brodd	02/27/20	ORIGINAL LAYOUT

PROPOSAL

CHASSIS: SPARTAN METRO STAR LFD 10" RAISED ROOF
ENGINE: CUMMINS X12 500HP WITH ALLISON 4000 EVS
PUMP: HALF QMAX XS 1500 GPM
WATER TANK: 750 U.S. GAL
FOAM CELL: N/A
BODY MATERIAL: 1/8" ALUMINUM
HOSE BED: 170 CUBIC FEET
GENERATOR: N/A
COMPARTMENTS: 113 CUBIC FEET



SMEAL FIRE APPARATUS CO.
610 W 4TH ST
SNYDER, NE
PHONE: (402) 568-2224
WWW.SMEAL.COM

SUGAR CREEK TOWNSHIP FIRE DEPT
NEW PALESTINE, IN
MODEL: TOP MOUNT PUMPER
DEALERSHIP: HOOSIER FIRE EQUIPMENT, INC.
SCALE: 1/2" = 1'
SIZE: 24" X 36"
SHEET: 1 OF 1
DRAWN BY: D.Brodd
DATE: 02/27/2020
DRAWING NO: 20888
REV: 01