

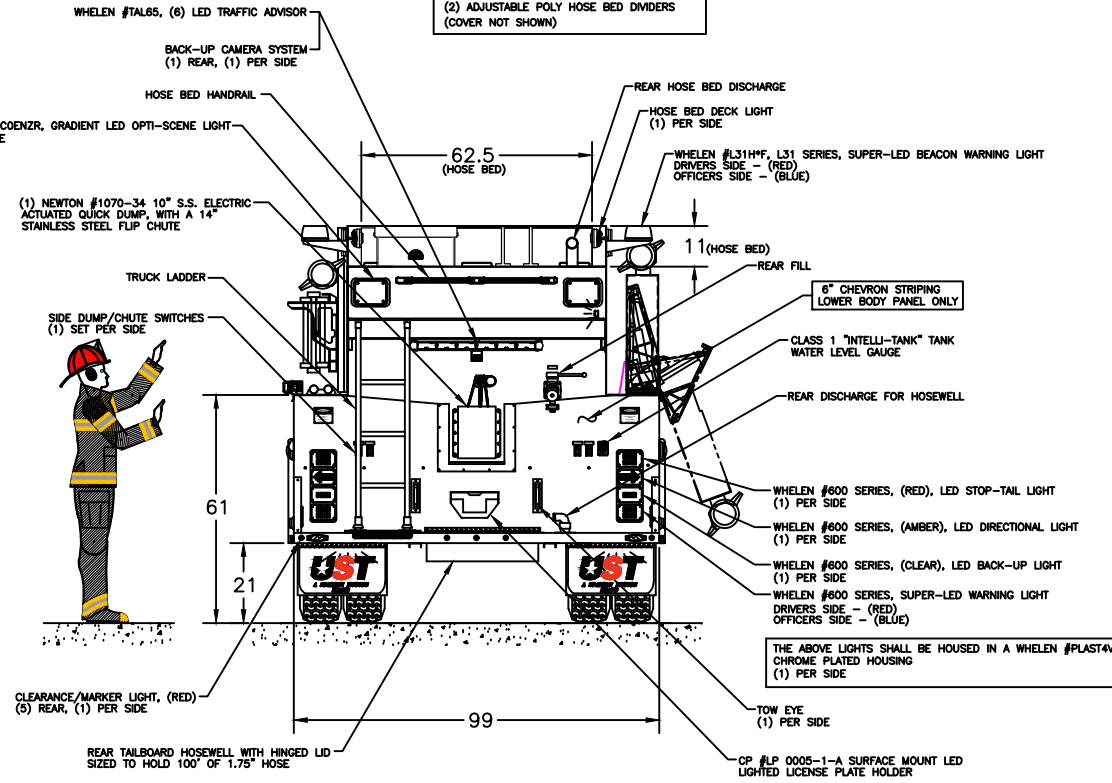
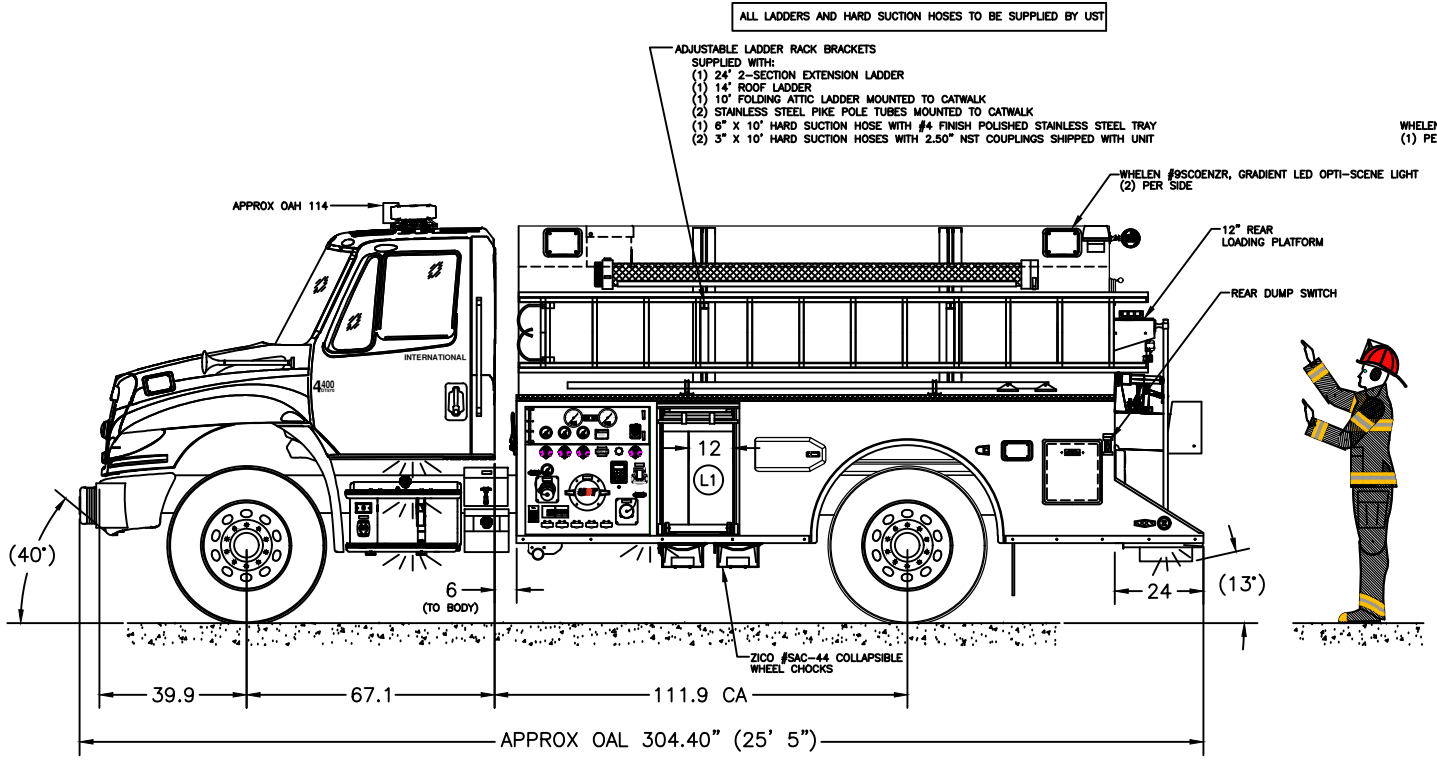
- NOTES:
- (BLUE) "TURTLE TILE" DECKING SHALL BE INSTALLED IN EACH COMPARTMENT
 - THE "TURTLE TILE" DECKING SHALL HAVE A 2" DEEP (ORANGE) TAPERED EDGE BETWEEN THE COMPARTMENT DOOR AND THE FRONT EDGE OF THE DECKING
 - THE CHASSIS EXHAUST SYSTEM SHALL BE EXTENDED TO THE RIGHT SIDE OF THE VEHICLE
 - A PLYMOVENT #ADAP-0003, 4" RECEIVER PLATE/NOZZLE STOP SHALL BE PROVIDED AND INSTALLED TO ACCOMMODATE THE DEPARTMENTS IN-STATION PLYMOVENT SYSTEM
 - STAINLESS STEEL HIGH HATS AND LUG NUT COVERS SHALL BE PROVIDED ON ALL CHASSIS WHEELS

HOSE BED TO CARRY FROM LEFT TO RIGHT
 500' OF 5" SUPPLY HOSE
 500' OF 2.50" DJ HOSE
 100' OF 2.50" DJ HOSE WITH PRECONNECTED GATED WYE
 100' OF 1.75" DJ HOSE PRECONNECTED TO GATED WYE ON THE END OF THE 2.50" AND STORED ON TOP OF 2.50" IN THE SAME HOSE BED SECTION

APPROX HOSE BED DIMENSIONS
 (127 LG X 62.5 W X 11 DP)
 APPROX 50 CU. FT. OF HOSE CAPACITY
 WITH A (ROYAL BLUE) VINYL HOSE BED COVER WITH A REAR WEIGHTED FLAP AND (2) ADJUSTABLE POLY HOSE BED DIVIDERS (COVER NOT SHOWN)

ALL LADDERS AND HARD SUCTION HOSES TO BE SUPPLIED BY UST

- ADJUSTABLE LADDER RACK BRACKETS SUPPLIED WITH:
- (1) 24' 2-SECTION EXTENSION LADDER
 - (1) 14' ROOF LADDER
 - (1) 10' FOLDING ATTIC LADDER MOUNTED TO CATWALK
 - (2) STAINLESS STEEL PIKE POLE TUBES MOUNTED TO CATWALK
 - (1) 6" x 10" HARD SUCTION HOSE WITH #4 FINISH POLISHED STAINLESS STEEL TRAY
 - (2) 3" x 10" HARD SUCTION HOSES WITH 2.50" NST COUPLINGS SHIPPED WITH UNIT



COMPARTMENTATION	INSIDE DIMENSIONS		
	WIDTH	HEIGHT	DEPTH
STREETSIDE - L1	24"	37.5"	27"
CURBSIDE - R1	60"	37.5"	27"

CUSTOMER APPROVAL		CUSTOMER	FARMLAND V.F.D.
THIS DRAWING IS ONLY A REPRESENTATION OF THE PRODUCT. EXACT LOCATION OF COMPONENTS MAY DIFFER DUE TO MANUFACTURING/SUPPLIER CHANGE. WRITTEN SPECIFICATIONS SUPERSEDE PRINTS		SIZE	2000 GALLON
SIGNATURE _____		TANK MATERIAL	POLY IIE
TITLE _____		BODY MATERIAL	STAINLESS STEEL
DATE _____		CROSS SECTION	CUSTOM X 160" LG
CONCEPT <input type="checkbox"/> ORDER <input type="checkbox"/>		AFTERFRAME	56"
PROPOSAL <input checked="" type="checkbox"/> UST#UXXXX		PUMP	HALE AP 500 GPM (PTO)
		CHASSIS	INTERNATIONAL 4400
		DRAWN BY	JLB DATE 1/16/18
THIS DRAWING IS FOR REFERENCE ONLY			

UST 1827 HOBBS DR.
 DELAVAN, WI. 53115
 PHONE: 1-(800)-279-4911
 FAX: 1-(262)-757-7557
 E-MAIL SALES@USTANKER.COM
 WEBSITE: WWW.USTANKER.COM

A SPARTAN MOTORS BRAND